



Technology  
for innovator

Welcome to future of  
AI, Cloud & Fibre to  
the X (FTTx)

## Microwave Communication

### THE CONS

- ❑ **Signals Will Not Pass Through Objects (E.G., Mountains, Buildings And Aero Planes).**
- ❑ **AFFECTED BY HEAVY MOISTURE, SNOW, VAPOUR, RAIN AND FOG DUE TO RAIN**
- ❑ **Electromagnetic and other Interference**
- ❑ **Line of Sight Technology**
- ❑ **SOLID OBJECTS**



### Optical Connectivity Solutions

In this era of digitization, data has the power to change the world.

While data continues to fuel innovation and technological advancement, the world has started to witness unprecedented growth in internet connectivity.

Consequently, there is an increasing demand of digital infrastructure to deliver ubiquitous optical connectivity.,

The existing network infrastructure is not fully equipped to deal with the sudden rise in data traffic. Across the globe, the optical fiber penetration levels are still low. Even in the developed nations, fiberization is only 65-70% and wired broadband penetration is not enough.

### Optical Products

Bend insensitive range of optical fibers

World's 1st backward compatible G.657.A2 Fiber

Range of High-Density Ribbon and Loose Tube optical fiber cable suitable for Aerial, Duct and Underground Installation

**Prepared Sub-Systems** Pre-connected and integrated system Plug and Play Modular kit to enable easy and faster deployment.

**Smart Logistics** Efficient supply management by leveraging our global manufacturing capabilities End-to-End Project service management to ensure efficient and cost-effective processes.

**Partner Services** Guaranteed customer support with components warranty and sustainable upgrades End-to-End Project service management to ensure efficient and cost-effective processes.



# WE HAVE ULTIMATE SOLUTION FOR ALL PROBLEMS OF Industry & household .

- FTTx Access Network Solutions
- Fibre Deployment Solutions
- FTTx Access Network Solutions
- Network Modernization Solutions

Fibre Deployment  
Solutions

FTTx Access  
Network Solutions

an aim to create multi-gigabit access networks, Telcos and Enterprises across the globe are looking to build converged data networks that are reliable, scalable, resilient, and can support wireless and wired connectivity.

FTTx Mantra, a fiber access network solution that empowers Telcos and Network Providers to swiftly roll-out FTTx networks at massive scale, near-zero response time, great agility, and at optimized cost. The main differentiator of this solution is to integrate fiber -to-software capabilities across programmable networks, optical connectivity products, network design, fiber roll-outs, and software solutions

# How is ti transforming the FTTX & FTTH? Real-Life Applications and more!

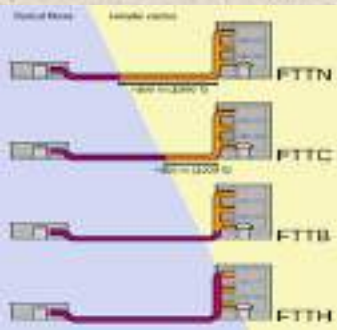
- ❑ Organization is leveraging the mix of digitization, automation, and process orchestration to tackle the inefficiencies in FTTX and FTTH. As a leading provider of Optical fiber cable and Fiber Optic solutions in the world. Our optic fiber solutions serve a wide range of applications, catering to all your requirements.
- ❑ Best suited to your network is our lower bend loss optical fiber which enables high network performance along with greatly reduced installation costs. We offer a range of solutions suitable for FTTx and 5G applications.
- ❑ such as Non-Zero Dispersion Shifted Single Mode Fiber (NZDSF for short) and 200um and 250um Bend Insensitive Single Mode Fiber.

# TECHNOLOGY USED BY ORGANIZATION

## **Description :**

Fiber to the Home (FTTH),  
Fiber to the Building (FTTB),  
Fiber to the Premises (FTTP)  
Fiber to the Curb (FTTC),

Installation And Commissioning Of GPON Electronics – Onts & Olts Supply Of OFC And Its Accessories With Implementation Of Underground And Aerial OFC Network Optimization, Training & Network Handover O&M Services And Warranty/AMC Support





## Product & Services

- Fibre Rollout Services
- Optical Fibre Cable
- Network Services
- FTTx Access Network Solutions

❑ **This end-to-end solution is a combination of multiple offerings.**

- ❖ Optical Connectivity Solutions
- ❖ System Integration Services
- ❖ Network O&M Services
- ❖ 5G Small Cells
- ❖ **5G Macro Radios**
- ❖ **Programmable FTTx (pFTTx)**
- ❖ Businesses and governments are moving towards deep fiberisation
- ❖ Hyper scale fiber roll-outs are ridden with challenges
- ❖ An intelligent and repeatable method for hyper scale fiber roll-outs



# Fibre Deployment Solutions

## Optical Connectivity Solutions:

In this era of digitization, data has the power to change the world. While data continues to fuel innovation and technological advancement, the world has started to witness unprecedented growth in internet connectivity.

## Details of TI Opticonn solution:



### Optical Products:

Bend insensitive range of optical fibres World's 1st backward compatible G.657.A2 Fibre Range of High-Density Ribbon and Loose Tube optical fibre cable suitable for Aerial, Duct and Underground Installation.

**Prepared Sub-Systems:** Pre-connected and integrated system Plug and Play Modular kit to enable easy and faster deployment.

**Smart Logistics:** Efficient supply management by leveraging our global manufacturing capabilities End-to-End Project service management to ensure efficient and cost-effective processes

**Partner Services:** Guaranteed customer support with components warranty and sustainable upgrades End-to-End Project service management to ensure efficient and cost-effective processes.





# Competitors

TECSMEN INNOVATION  
Technology for Innovators

## ❑ Direct Competitors

- Sterlite Technology
- Aksh OptiFiber

## ❑ Indirect Competitors

- Siemens
- HFCL Ltd

### •CURRENT STATUS AND TRACTION:

- Present Time Our organization is to be working with Relaince Jio & Bharti Airtel . To Deploy Fiber Optic Communication . & wireless Communication.





# Competitive advantage

1st To Market

- For Gaming And Personalization , AI,
- Machine learning , Internet of thing

Lots of fun

- This Platform is Design According To 21 Century.

Stress free

Our Algorithm Helps Every User According To Their Capacity To Reduce Stress.

Real Life  
Practical's

- ❖ **More Bandwidth**
- ❖ **Greater Reliability**

Stress fre

- ❑ **Future Flexibility**
- ❑ Cost Efficiency
- ❑ Added Value

# Mantra Competitive advantage

Better Technology system

- Our Ultimate AI Helps Every person To Live digital Technology without interruption any obstacles

Easy To

- Telemedicine
- Safety
- Speed

Low Cost

- This Platform Provide Ultimate technology Solutions At Very Low Cost.

**Advantages of fiber optic internet speed**

**Connecting with multiple devices**

Free Live  
webinar  
Session

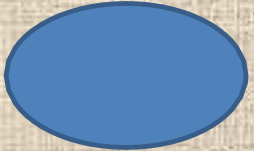
We Conduct Free Live  
Session For  
Every Technology .

**Next-Generation Scalable Network**



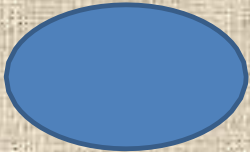
# Size the Market

1.00 Billion



Total Available Market (TAM)

100 Million



Serviceable Available Market (SAM)

150 Million



Serviceable Obtainable Market  
(SOM)



# Business or Revenue Model

- focused on the B2B, B2B2C or B2C based revenue streams, or customer acquisitions, but defines a business and keep it on track.
- Licensing Revenue Model
- Subscription Revenue Model
- Affiliate Revenue Model
- Transactional Revenue Model
- Direct Sales
  
- Channel Sales (or Indirect Sales)
  
- Subscription-based model. It is more like Netflix, where the user pays monthly or annually to get unlimited access to wherever courses the platform offers. Skillshare is an example. This model works best for creative skills or business training.
  
- Freemium seems like a better choice since they can try a bit of what you offer and sample what they will pay for. The first trick is to offer just the right amount of free content and features to offer an encouraging app experience and entice users to want more. The second trick is determining the timing of the offer to buy before the learner loses motivation to learn, people are motivated by the money they spent on their courses, lessons, etc.



TECSMEN INNOVATION  
Technology for Innovators

# Require Fund

Software Upgradation

Infrastructure development

Working capital

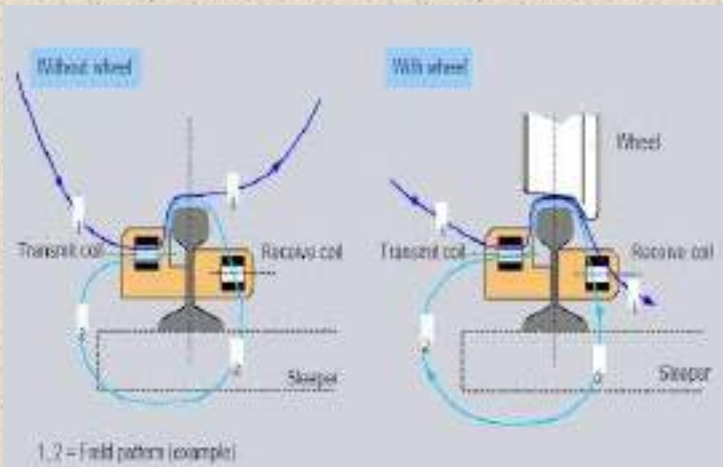
New Product development

Marketing development (Online & Offline )

## **Program help in re-establishing operations of the startup**

- Finding new customers
- Funds to start the business
- Funds to grow the business
- government law policy & regulation
- Hiring skilled & unskilled employees
- material procurement
- adopt new technology
- complete our project as per deadline based.
- increase our company revenue & presence

# Other Product Details



**Axel Counter**



**Relay Room**



**Data Logger**



**Location Box**

**MICROWAVE COMMUNICATION:**  
Microwave communication system is to transmitted information from one place to another place without interruption and clear reproduction at the receiver.

**MICROWAVE SYSTEMS**

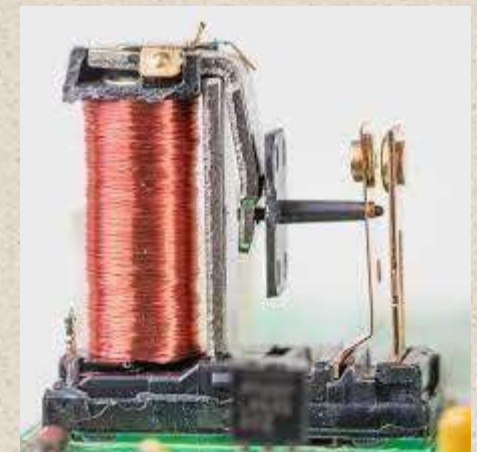
- Microwave communication is line of signal radio communication.
- Microwave communication can be analog or digital.

**Propagation Types**

1. Ground wave propagation
2. Line of signal propagation
3. Sky wave propagation



**Microwave**



**Relay circuit**





TECSMEN INNOVATION  
Technology for Innovators

# Contact Us

- 7230067424, 9983051708

[Tecsmeninnovation1@gmail.com](mailto:Tecsmeninnovation1@gmail.com)

[sbcoders3@gmail.com](mailto:sbcoders3@gmail.com)

Jaipur Rajasthan